

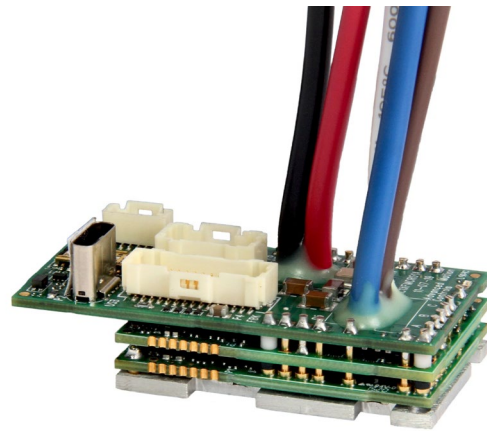
# FM060-25-CM

FlexPro® Series

**Product Status:** Active

## SPECIFICATIONS

|                       |                    |
|-----------------------|--------------------|
| Current Peak          | <b>50 A</b>        |
| Current Continuous    | <b>25 A</b>        |
| DC Supply Voltage     | <b>10 – 55 VDC</b> |
| Network Communication | <b>CANopen</b>     |



The **FM060-25-CM** is a single-axis servo drive and integration board assembly for a FE060-25-CM FlexPro® series servo drive with IMPACT™ architecture. Connections to the controller, motor, power, and feedback are simplified through the standard connectors featured on the board.

The **FM060-25-CM** offers full tuning control of all servo loops and is designed to drive brushed and brushless servo motors, stepper motors, and AC induction motors. The drive accepts a variety of external command signals, or can use the built-in Motion Engine, an internal motion controller used with Sequencing and Indexing commands. Programmable digital and analog I/O are included to enhance interfacing with external controllers and devices.

The **FM060-25-CM** utilizes CANOpen network communication and is configured via USB. All drive and motor parameters are stored in non-volatile memory.

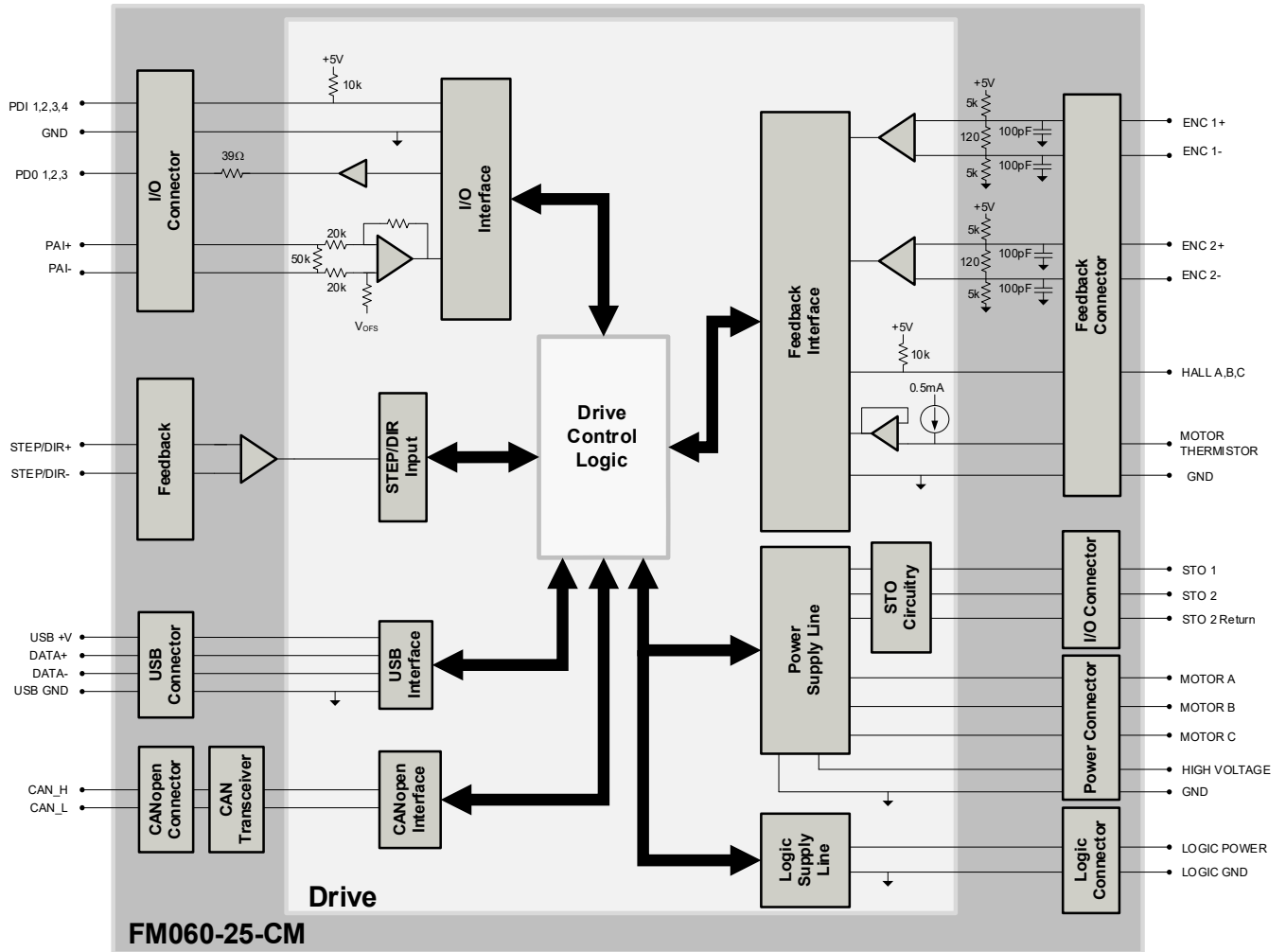
IMPACT™ (Integrated **M**otion **P**latform **A**nd **C**ontrol **T**echnology) combines exceptional processing capability and high-current components to create powerful, compact, feature-loaded servo solutions. IMPACT™ is used in all FlexPro® drives and is available in custom products as well.

## FEATURES

- Follows the CAN in Automation (CiA) 301 Communications Profile and 402 Device Profile
- Four Quadrant Regenerative Operation
- Programmable Gain Settings
- PIDF Velocity Loop
- On-the-Fly Mode Switching
- On-the-Fly Gain Set Switching
- Dedicated Safe Torque Off (STO) Inputs
- Bridge Status, Fault and Network Status LEDs
- I/O Status LEDs
- Standard Connections for Easy Setup

|                           |  |                         |  |                           |  |
|---------------------------|--|-------------------------|--|---------------------------|--|
| <b>Feedback Supported</b> | <ul style="list-style-type: none"> <li>• Absolute Encoder               <ul style="list-style-type: none"> <li>◦ BiSS C-Mode</li> <li>◦ EnDat 2.2</li> </ul> </li> <li>• Incremental Encoder</li> <li>• Hall Sensors</li> <li>• ±10 VDC Position</li> <li>• Tachometer (±10V)</li> </ul> | <b>Motors Supported</b> | <ul style="list-style-type: none"> <li>• Three Phase</li> <li>• Single Phase</li> <li>• Stepper</li> <li>• AC Induction</li> </ul>                                 | <b>Modes of Operation</b> | <ul style="list-style-type: none"> <li>• Profile Modes</li> <li>• Cyclic Synchronous Modes</li> <li>• Current</li> <li>• Velocity</li> <li>• Position</li> <li>• Interpolated Position Mode (PVT)</li> </ul> |
| <b>Command Sources</b>    | <ul style="list-style-type: none"> <li>• Over the Network</li> <li>• ±10V Analog</li> <li>• Sequencing</li> <li>• Indexing</li> <li>• Jogging</li> <li>• Step &amp; Direction</li> <li>• Encoder Following</li> </ul>  | <b>Inputs / Outputs</b> | <ul style="list-style-type: none"> <li>• 4 Programmable Digital Inputs</li> <li>• 3 Programmable Digital Outputs</li> <li>• 1 Programmable Analog Input</li> </ul> | <b>Agency Approvals</b>   | <ul style="list-style-type: none"> <li>• RoHS II</li> <li>• UL (Pending)</li> <li>• CE (Pending)</li> <li>• TUV Rheinland (STO) (Pending)</li> </ul>   |

**BLOCK DIAGRAM**



**INFORMATION ON APPROVALS AND COMPLIANCES**



The RoHS Directive restricts the use of certain substances including lead, mercury, cadmium, hexavalent chromium and halogenated flame retardants PBB and PBDE in electronic equipment.

**SPECIFICATIONS**

| Description   | Electrical Specifications |  | Value |
|---|---------------------------|--|-------|
|   | Units                     |  |       |
| Nominal DC Supply Input Range                       | VDC                       | 12 – 48  |       |
| DC Supply Input Range                               | VDC                       | 10 – 55  |       |
| DC Supply Undervoltage                              | VDC                       | 8  |       |
| DC Supply Overvoltage                               | VDC                       | 58   |       |
| Logic Supply Input Range (optional)                 | VDC                       | 10 – 55  |       |
| Safe Torque Off Voltage (Default)                   | VDC                       | 5  |       |
| Maximum Peak Current Output <sup>1</sup>            | A (Arms)                  | 50 (35.4)  |       |
| Maximum Continuous Current Output <sup>2</sup>      | A (Arms)                  | 25 (25)  |       |
| Bus Capacitance <sup>3</sup>                        | μF                        | 52.8   |       |
| Efficiency at Rated Power                           | %                         | 99   |       |
| Maximum Continuous Output Power                     | W                         | 1361   |       |
| Maximum Power Dissipation at Continuous Current     | W                         | 14   |       |
| Minimum Load Inductance (line-to-line) <sup>4</sup> | μH                        | 150 (@ 48VDC supply); 75 (@24VDC supply); 40 (@12VDC supply) |       |
| Switching Frequency                                 | kHz                       | 20   |       |
| Maximum Output PWM Duty Cycle                       | %                         | 83   |       |

| Description                         | Control Specifications |   | Value |
|-------------------------------------|------------------------|---|-------|
|                                     | Units                  |   |       |
| Communication Interfaces            | -                      | CANopen (USB for configuration)   |       |
| Command Sources                     | -                      | ±10 V Analog, Over the Network, Sequencing, Indexing, Jogging, Step & Direction, Encoder Following  |       |
| Feedback Supported                  | -                      | Absolute Encoder (BiSS C-Mode, EnDat 2.2), Incremental Encoder, Hall Sensors, Auxiliary Incremental Encoder, ±10 VDC Position, Tachometer (±10V)                |       |
| Commutation Methods                 | -                      | Sinusoidal, Trapezoidal   |       |
| Modes of Operation                  | -                      | Profile Modes, Cyclic Synchronous Modes, Current, Velocity, Position, Interpolated Position Mode (PVT)  |       |
| Motors Supported <sup>5</sup>       | -                      | Three Phase (Brushless Servo), Single Phase (Brushed Servo, Voice Coil, Inductive Load), Stepper (2- or 3-Phase Closed Loop), AC Induction (Closed Loop Vector) |       |
| Hardware Protection                 | -                      | 40+ Configurable Functions, Over Current, Over Temperature (Drive & Motor), Over Voltage, Short Circuit (Phase-Phase & Phase-Ground), Under Voltage             |       |
| Programmable Digital Inputs/Outputs | -                      | 4/3   |       |
| Programmable Analog Inputs/Outputs  | -                      | 1/0   |       |
| Primary I/O Logic Level             | -                      | 5 VDC, not isolated   |       |
| Current Loop Sample Time            | μs                     | 50  |       |
| Velocity Loop Sample Time           | μs                     | 100   |       |
| Position Loop Sample Time           | μs                     | 100   |       |
| Maximum Encoder Frequency           | MHz                    | 20 (5 pre-quadrature)   |       |

| Description                                      | Mechanical Specifications |  | Value |
|--|---------------------------|--|-------|
|  | Units                     |  |       |
| Size (H x W x D)                                 | mm (in)                   | 50.8 x 25.4 x 22.1 (2.00 x 1.00 x 0.87)              |       |
| Weight   | g (oz)                    | 45.4 (1.6)   |       |
| Ambient Operating Temperature Range <sup>6</sup> | °C (°F)                   | 0 – 65 (32 – 149)                                    |       |
| Storage Temperature Range                        | °C (°F)                   | -40 – 85 (-40 – 185)                                 |       |
| Relative Humidity                                | -                         | 0-95%  |       |
| P1 CANopen COMMUNICATION CONNECTOR               | -                         | 6-pin, 1.0mm spaced single row vertical header       |       |
| P2 USB CONNECTOR                                 | -                         | USB Type C, vertical entry                           |       |
| P3 IO and LOGIC CONNECTOR                        | -                         | 20-pin, 1.0mm spaced dual row vertical header        |       |
| P4 FEEDBACK CONNECTOR                            | -                         | 30-pin, 1.0mm spaced dual row vertical header        |       |
| P5 POWER CONNECTOR                               | -                         | 2x 165 mm, 16 AWG flying leads w/ solder-dipped ends |       |
| P6 MOTOR POWER CONNECTOR                         | -                         | 3x 165 mm, 16 AWG flying leads w/ solder-dipped ends |       |

**Notes**

1. Capable of supplying drive rated peak current for 2 seconds with 10 second foldback to continuous value. Longer times are possible with lower current limits.
2. Continuous  $A_{rms}$  value attainable when RMS Charge-Based Limiting is used.
3. Applications with a supply voltage higher than 30VDC require a minimum external decoupling capacitance of 470μF / 100V added across HV and POWER GND.
4. Lower inductance is acceptable for bus voltages well below maximum. Use external inductance to meet requirements.
5. Maximum motor speed for stepper motors is 600 RPM. Consult the hardware installation manual for 2-phase stepper wiring configuration.
6. Additional cooling and/or heatsink may be required to achieve rated performance.

**PIN FUNCTIONS**

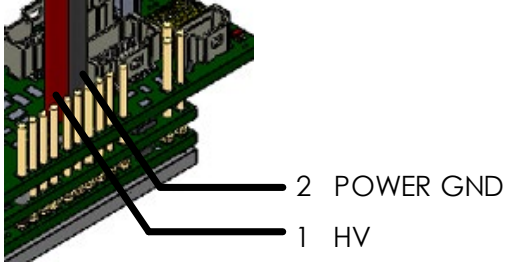
| P1 – CANopen Communication Connector |        |  |     |
|--------------------------------------|--------|--|-----|
| Pin                                  | Name   | Description / Notes                            | I/O |
| 1                                    | CAN_H  | CAN_H bus line (dominant high)                 | I/O |
| 2                                    | CAN_L  | CAN_L bus line (dominant low)                  | I/O |
| 3                                    | CAN_L  | CAN_L bus line (dominant low)                  | I/O |
| 4                                    | CAN_H  | CAN_H bus line (dominant high)                 | I/O |
| 5                                    | GND    | Ground   | GND |
| 6                                    | SHIELD | CAN shield                                     | -   |
| <b>Connector Information</b>         |        | 6-pin, 1.0mm spaced single row vertical header |     |
| <b>Mating Connector Details</b>      |        | Molex: 5013300600                              |     |
| <b>Mating Connector Included</b>     |        | No   |     |

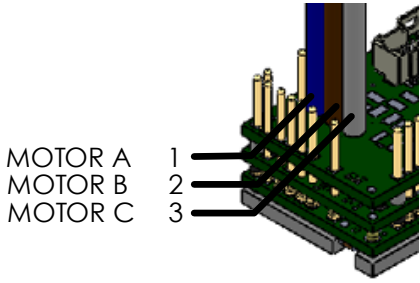
| P2 – USB Connector               |      |                                      |     |
|----------------------------------|------|--------------------------------------|-----|
| Pin                              | Name | Description / Notes                  | I/O |
| <b>Connector Information</b>     |      | USB Type C port                      |     |
| <b>Mating Connector Details</b>  |      | Standard Type C USB connection cable |     |
| <b>Mating Connector Included</b> |      | No                                   |     |

| P3 – I/O and Logic Connector     |               |   |        |
|----------------------------------|---------------|---|--------|
| Pin                              | Name          | Description / Notes   | I/O    |
| 1                                | PDI-1         | General Purpose Programmable Digital Input  | I      |
| 2                                | PDI-2         | General Purpose Programmable Digital Input  | I      |
| 3                                | PDI-3         | General Purpose Programmable Digital Input  | I      |
| 4                                | PDI-4         | General Purpose Programmable Digital Input  | I      |
| 5                                | PDO-1         | General Purpose Programmable Digital Output (TTL/8mA)   | O      |
| 6                                | PDO-2         | General Purpose Programmable Digital Output (TTL/8mA)   | O      |
| 7                                | PDO-3         | General Purpose Programmable Digital Output (TTL/8mA)   | O      |
| 8                                | GND           | Ground.   | GND    |
| 9                                | +5V OUT       | +5V Supply Output. Short-circuit protected. (300ma total load capacity shared between P3-9, P4-1, P4-13, and P4-21) | O      |
| 10                               | GND           | Ground.   | GND    |
| 11                               | PAI-1+        | General Purpose Differential Programmable Analog Input or Reference Signal Input. ±10VDC Range (12-bit Resolution)  | I      |
| 12                               | PAI-1-        |   | I      |
| 13                               | STO-1 INPUT   | Safe Torque Off – Input 1   | I      |
| 14                               | STO RETURN    | Safe Torque Off Return  | STORET |
| 15                               | STO-2 INPUT   | Safe Torque Off – Input 2   | I      |
| 16                               | STO RETURN    | Safe Torque Off Return  | STORET |
| 17                               | RESERVED / NC | Reserved.   | -      |
| 18                               | GND           | Ground.   | GND    |
| 19                               | LOGIC PWR     | Logic Supply Input (10 – 55VDC) (optional)  | I      |
| 20                               | LOGIC GND     | Ground  | GND    |
| <b>Connector Information</b>     |               | 20-pin, 1.0mm spaced dual row vertical header   |        |
| <b>Mating Connector Details</b>  |               | Molex: 501892010  |        |
| <b>Mating Connector Included</b> |               | No  |        |

| P4 – Feedback Connector |                  |                     |  |     |
|-------------------------|------------------|---------------------|--|-----|
| Pin                     | Absolute Encoder | Incremental Encoder | Description / Notes  | I/O |
| 1                       | +5V OUT          | +5V OUT             | +5V Supply Output. Short-circuit protected. (300ma total load capacity shared between P3-9, P4-1, P4-13, and P4-21)              | O   |
| 2                       | GND              | GND                 | Ground.  | GND |
| 3                       | HALL A           | HALL A              | Single-ended Commutation Sensor Inputs.  | I   |
| 4                       | HALL B           | HALL B              |  | I   |
| 5                       | HALL C           | HALL C              |  | I   |
| 6                       | THERMISTOR       | THERMISTOR          | Motor Thermal Protection.  | I   |
| 7                       | ENC 2 A+         | ENC 2 A+            | Differential Incremental Encoder A.  | I   |
| 8                       | ENC 2 A-         | ENC 2 A-            |  | I   |
| 9                       | ENC 2 B+         | ENC 2 B+            | Differential Incremental Encoder B.  | I   |
| 10                      | ENC 2 B-         | ENC 2 B-            |  | I   |
| 11                      | ENC 2 I+         | ENC 2 I+            | Differential Incremental Encoder Index.  | I   |
| 12                      | ENC 2 I-         | ENC 2 I-            |  | I   |
| 13                      | +5V OUT          | +5V OUT             | +5V Supply Output. Short-circuit protected. (300ma total load capacity shared between P3-9, P4-1, P4-13, and P4-21)              | O   |
| 14                      | GND              | GND                 | Ground.  | GND |
| 15                      | STEP +           | STEP +              | Differential Step Input.   | I   |
| 16                      | STEP -           | STEP -              |  | I   |
| 17                      | DIR +            | DIR +               | Differential Direction Input.  | I   |
| 18                      | DIR -            | DIR -               |  | I   |
| 19                      | RESERVED         | RESERVED            | Reserved.  | -   |
| 20                      | RESERVED         | RESERVED            |  | -   |
| 21                      | +5V OUT          | +5V OUT             | +5V Supply Output. Short-circuit protected. (300ma total load capacity shared between P3-9, P4-1, P4-13, and P4-21)              | O   |
| 22                      | GND              | GND                 | Ground.  | GND |
| 23                      | ENC 1 DATA+      | ENC 1 A+            | Differential Data Line for Absolute Encoders (BiSS: SLO+/-) or Differential Incremental Encoder A.                               | I   |
| 24                      | ENC 1 DATA-      | ENC 1 A-            |  | I   |
| 25                      | ENC 1 CLOCK+     | ENC 1 B+            | Differential Clock Line for Absolute Encoders (BiSS: MA+/-) or Differential Incremental Encoder B.                               | I   |
| 26                      | ENC 1 CLOCK-     | ENC 1 B-            |  | I   |
| 27                      | ENC 1 REF MARK+  | ENC 1 I+            | Differential Reference Mark for Absolute Encoders (Leave open for BiSS and EnDat 2.2) or Differential Incremental Encoder Index. | I   |
| 28                      | ENC 1 REF MARK-  | ENC 1 I-            |  | I   |
| 29                      | RESERVED         | RESERVED            | Reserved.  | -   |
| 30                      | RESERVED         | RESERVED            | Reserved.  | -   |

|                                  |   |  |
|----------------------------------|---|--|
| <b>Connector Information</b>     | 30-pin, 1.0mm spaced dual row vertical header |  |
| <b>Mating Connector Details</b>  | Molex: 5011893010                             |  |
| <b>Mating Connector Included</b> | No  |  |

| P5 - Power Connector             |           |  |  |
|----------------------------------|-----------|--|--|
| Pin                              | Name      | Description / Notes  | I/O  |
| 1                                | HV        | DC Supply Input (red). Applications with a supply voltage higher than 30VDC require a minimum external decoupling capacitance of 470µF / 100V added across HV and POWER GND. | I  |
| 2                                | POWER GND | Ground (black)   | GND  |
| <b>Connector Information</b>     |           | 2x 165 mm, 16 AWG flying leads w/ solder-dipped ends   |  |
| <b>Mating Connector Details</b>  |           | N/A  |  |
| <b>Mating Connector Included</b> |           | N/A  |  |

| P6 – Motor Power Connector       |         |  |   |
|----------------------------------|---------|--|---|
| Pin                              | Name    | Description / Notes                                  | I/O   |
| 1                                | MOTOR A | Motor Phase A (blue)                                 | O   |
| 2                                | MOTOR B | Motor Phase B (brown)                                | O   |
| 3                                | MOTOR C | Motor Phase C (white)                                | O   |
| <b>Connector Information</b>     |         | 3x 165 mm, 16 AWG flying leads w/ solder-dipped ends |  |
| <b>Mating Connector Details</b>  |         | N/A  |   |
| <b>Mating Connector Included</b> |         | N/A  |   |

**BOARD CONFIGURATION**
**Status LED Functions**

| LED       | Description   |
|-----------|---|
| STAT      | Indicates drive power bridge status. GREEN when DC bus power is applied and the drive is enabled. RED when the drive is in a fault state. |
| LOGIC PWR | Indicates that +5V logic power is available to the drive. GREEN when +5V logic power is available.  |

**Switch Settings**

The CANopen Node ID and baud rate are set using DIP Switch SW1. Switch settings are given in the below table.

| SW1 | Description                 | On  | Off                            |
|-----|-----------------------------|---|--------------------------------|
| 1   | Bit 0 of binary CANopen ID. | On = 1, Off = 0. Note that setting all addressing switches to 0 will use the address stored in NVM. Default setting is NVM address. |                                |
| 2   | Bit 1 of binary CANopen ID. |   |                                |
| 3   | Bit 2 of binary CANopen ID. |   |                                |
| 4   | Bit 3 of binary CANopen ID. |   |                                |
| 5   | Baud Rate                   | 500k  | Set via software (default)     |
| 6   | RESERVED                    | Invalid   | Leave off for proper operation |
| 7   | RESERVED                    | Invalid   |                                |
| 8   | Network Termination         | Terminated  | Not Terminated (default)       |

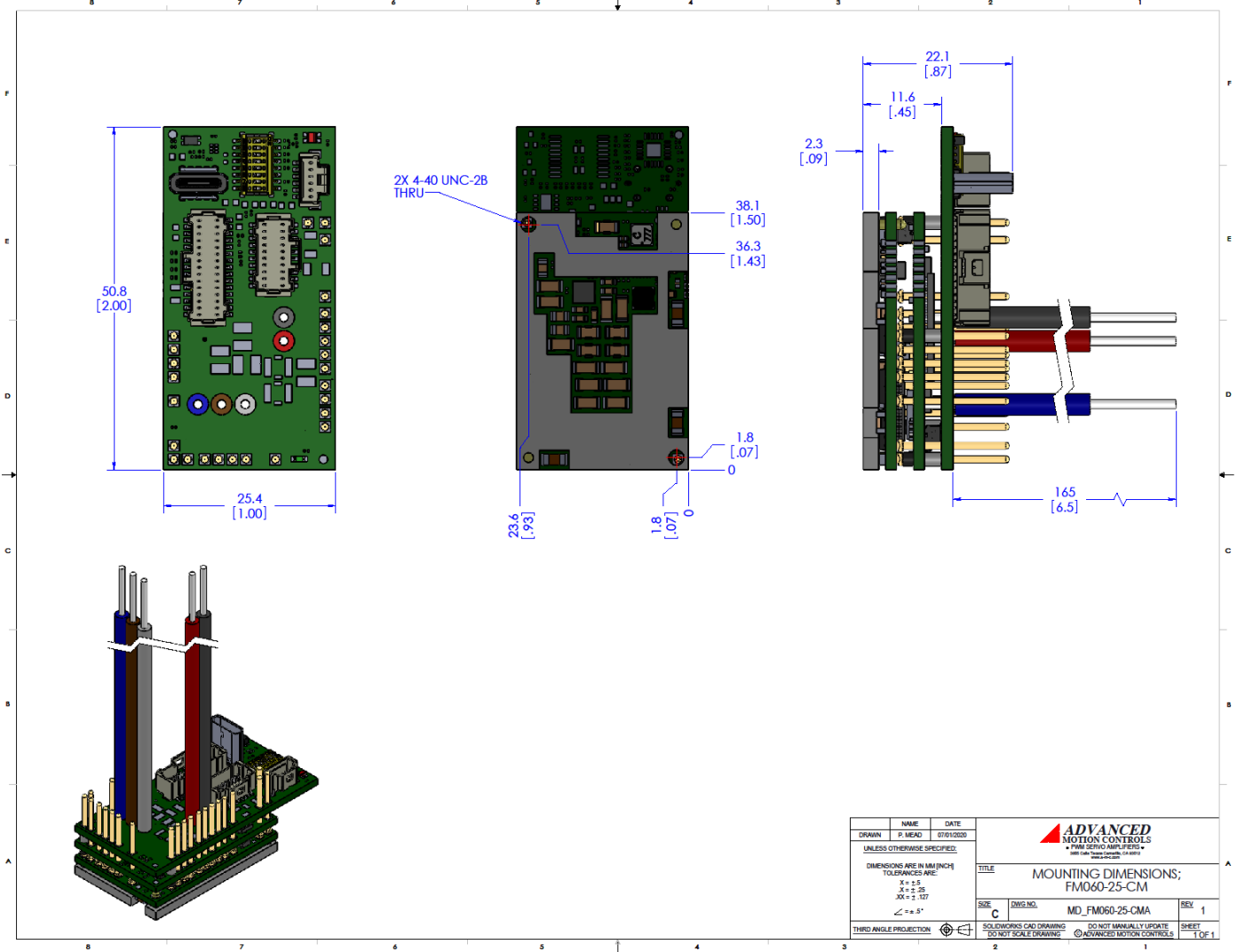
**Safe Torque Off (STO) Inputs**

The Safe Torque Off (STO) inputs are dedicated +5VDC sinking single-ended inputs. For applications not using STO functionality, disabling of the STO feature is required for proper drive operation. STO may be disabled by following the STO Disable wiring instructions as given in the hardware installation manual.

**Mating Connector Kit**

Mating connector housing and crimp contacts can be ordered as a kit using ADVANCED Motion Controls' part number KC-MC1XFM01. This includes mating connector housing and crimp style contacts for the Communication, I/O and Logic, and Feedback connectors. The recommended tool for crimping the contacts is Molex PN: 63819-1500 (not included with the kit).

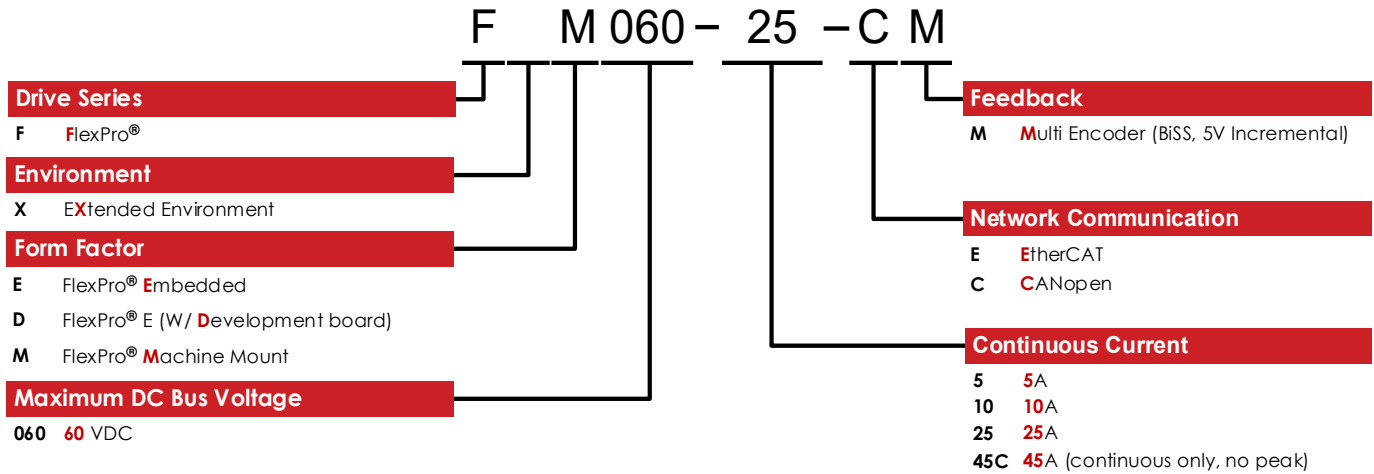
**MOUNTING DIMENSIONS**



|                             |                      |  |
|-----------------------------|----------------------|--|
| NAME                        | DATE                 | <p>ADVANCED<br/>MOTION CONTROLS<br/>• PMM SERVO AMPLIFIERS •<br/>1881 East Thompson Avenue, CA 93015<br/>www.a-m-c.com</p> |
| DRAWN P. MEAD               | 07/01/2020           |  |
| UNLESS OTHERWISE SPECIFIED: |                      | TITLE  |
| DIMENSIONS ARE IN MM (INCH) |                      | MOUNTING DIMENSIONS;<br>FM060-25-CM  |
| TOLERANCES ARE:             |                      | SIZE   |
| X = ± .25                   |                      | MD_FM060-25-CMA  |
| Y = ± .25                   |                      | REV  |
| Z = ± .127                  |                      | 1  |
| ∠ = ± 5°                    |                      | DO NOT MANUALLY UPDATE   |
| THIRD ANGLE PROJECTION      | DO NOT SCALE DRAWING | ADVANCED MOTION CONTROLS   |
|                             |                      | SHEET  |
|                             |                      | 1 OF 1   |



**PART NUMBERING AND CUSTOMIZATION INFORMATION**



ADVANCED Motion Controls also has the capability to promptly develop and deliver specified products for OEMs with volume requests. Our Applications and Engineering Departments will work closely with your design team through all stages of development in order to provide the best servo drive solution for your system. Equipped with on-site manufacturing for quick-turn customs capabilities, ADVANCED Motion Controls utilizes our years of engineering and manufacturing expertise to decrease your costs and time-to-market while increasing system quality and reliability.

**Examples of Customized Products**

- |  |  |
|--|--|
| <ul style="list-style-type: none"> <li>▲ Optimized Footprint</li> <li>▲ Private Label Software</li> <li>▲ OEM Specified Connectors</li> <li>▲ No Outer Case</li> <li>▲ Increased Current Resolution</li> <li>▲ Increased Temperature Range</li> <li>▲ Custom Control Interface</li> <li>▲ Integrated System I/O</li> </ul> | <ul style="list-style-type: none"> <li>▲ Tailored Project File</li> <li>▲ Silkscreen Branding</li> <li>▲ Optimized Base Plate</li> <li>▲ Increased Current Limits</li> <li>▲ Increased Voltage Range</li> <li>▲ Conformal Coating</li> <li>▲ Multi-Axis Configurations</li> <li>▲ Reduced Profile Size and Weight</li> </ul> |
|--|--|

Feel free to contact us for further information and details!

**Available Accessories**

ADVANCED Motion Controls offers a variety of accessories designed to facilitate drive integration into a servo system. Visit [www.a-m-c.com](http://www.a-m-c.com) to see which accessories will assist with your application design and implementation.

All specifications in this document are subject to change without written notice. Actual product may differ from pictures provided in this document.